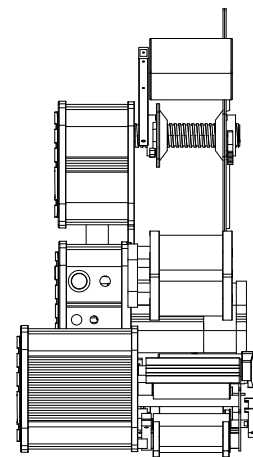
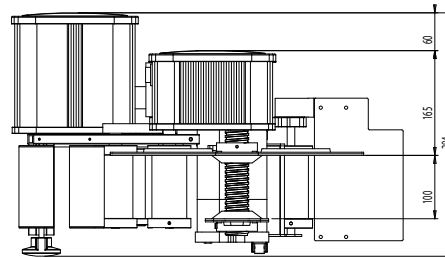
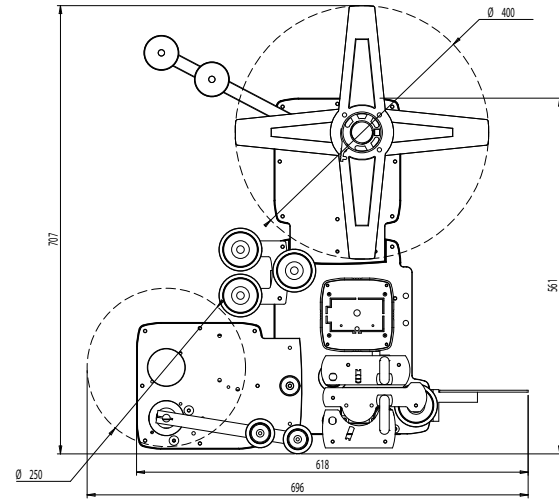


# Extreme

## Automatic labeller



Extreme is the automatic labelling machine ideal for applications that require high frequencies and maximum accuracy. The labelling machine is equipped with an innovative multitasking electronics that, through encoder, manages multiple functions simultaneously. The new hybrid stepper motor allows optimal control on label distribution and tolerance range close to zero on stop. The touch screen allows changing settings even when the machine is running.

## Technical Specifications

	100	200	300
Speed	≤ 200 m/min* <sup>1</sup>	≤ 140 m/min*	≤ 60 m/min* <sup>2</sup>
Dispensing W	20-100 mm	20-200 mm	20-300 mm
Outside reel Ø	≤ 380 mm		
Inside reel Ø	40 - 75 mm		
Motor	Hybrid stepper motor		
Stop Tolerance	± 0,2 mm		
Size L - W - H	696x384 x707mm	696x484 x707mm	696x638 x757mm
Power supply	115/230 V, 50-60 Hz		
Power	300 W		
Electrical protection	IP 55		
Noise level	70 dB		
Version	RH - LH		

\*<sup>1</sup> to be submitted for technical approval

\*<sup>2</sup> with label widths up to 250 mm



Etipack reserves the right to modify according to the technical evolution, without notice.  
All the rights of intellectual and technological ownership are reserved



Cinisello Balsamo (MI) - Tel. 02 660621 - Fax 02 6174919 - [www.etipack.it](http://www.etipack.it)