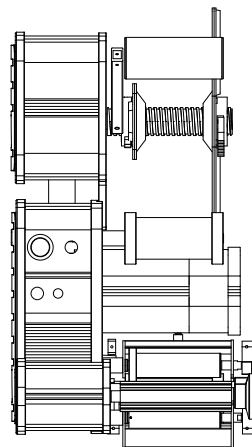
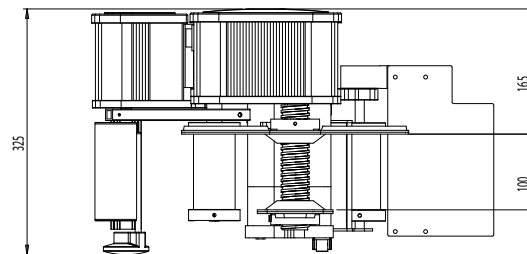
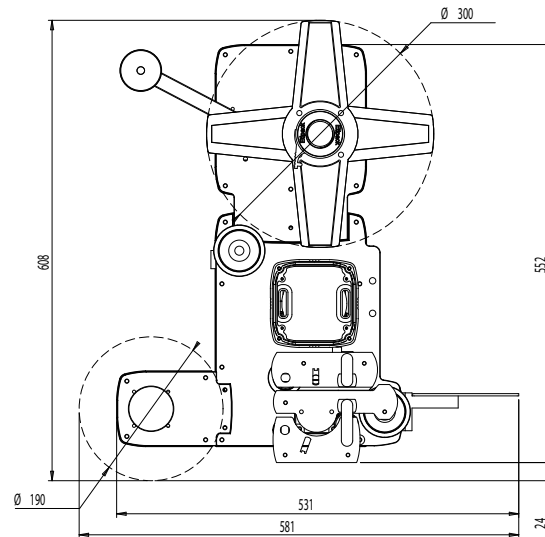


Strong Automatic labeller



Strong is the automatic labeller combining strength, reliability and an affordable price to cover a wide range of market applications. Dispensing speed, up to 30 m/min, can be manually varied by a potentiometer.



Technical Specifications

	100	200
Speed	≤ 30 m/min	≤ 20 m/min
Dispensing W	20 - 100 mm	20 - 200 mm
Outside reel Ø	≤ 280 mm	
Inside reel Ø	40 - 75 mm	
Motor	Stepper motor	
Stop Tolerance	± 0,5 mm	
Size L - W - H	581x325x608 mm	581x425x608 mm
Power supply	115/230 V, 50-60 Hz	
Power	100 W	
Electrical protection	IP 55	
Noise level	70 dB	
Version	RH - LH	



Etipack reserves the right to modify according to the technical evolution, without notice.
All the rights of intellectual and technological ownership are reserved



Cinisello Balsamo (MI) - Tel. 02 660621 - Fax 02 6174919 - www.etipack.it